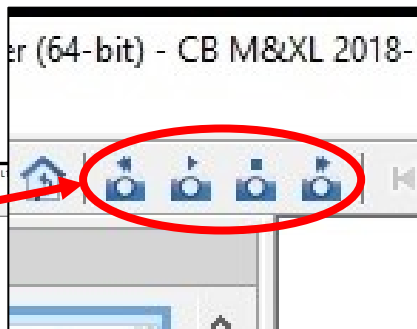
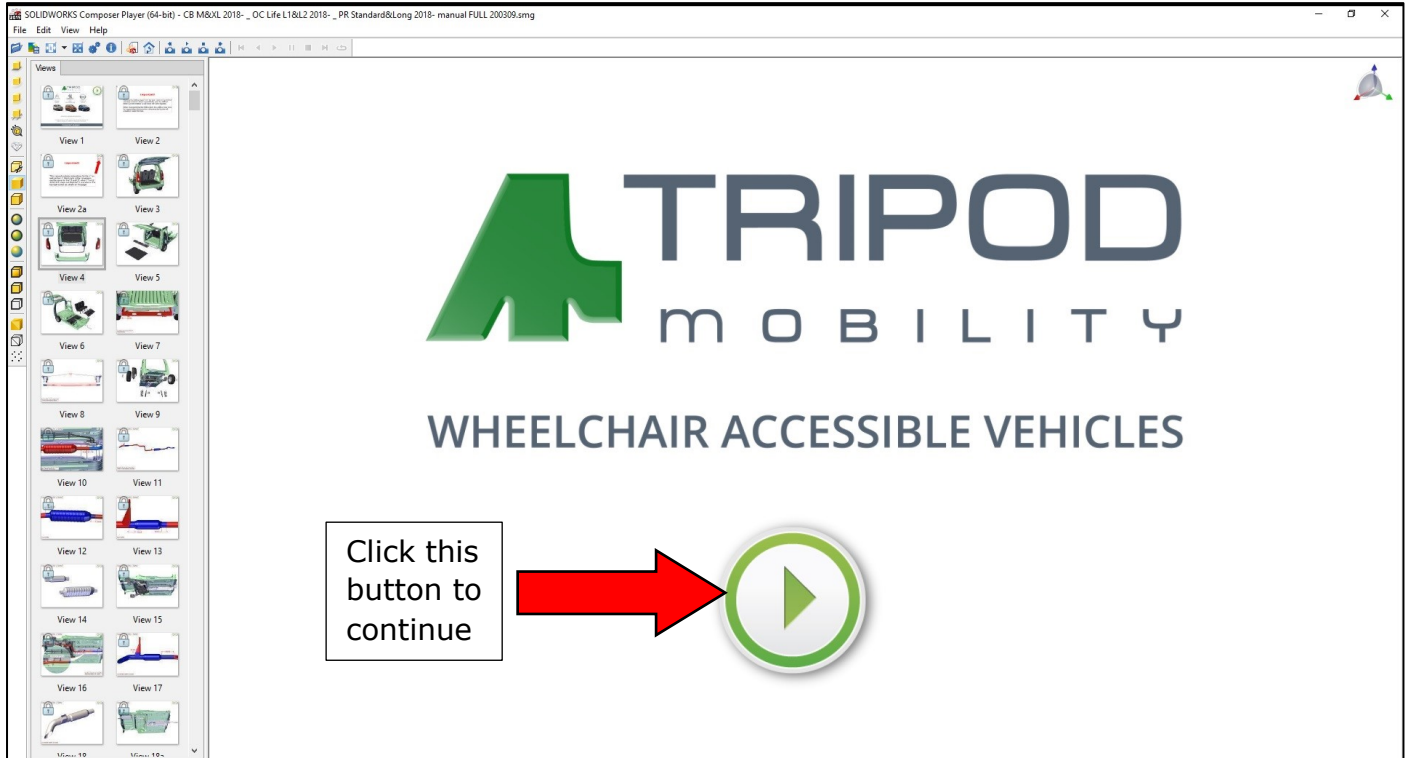


Once logged into DealerWeb for most car models a 3D manual is available under the header Conversion Manuals/ 3D FULL version (date). Click on the link 3D FULL version (date) to download a folder of files. Double click the downloaded file to open. A dialog window will open asking your permission to install the Composer Player program, agree and continue.

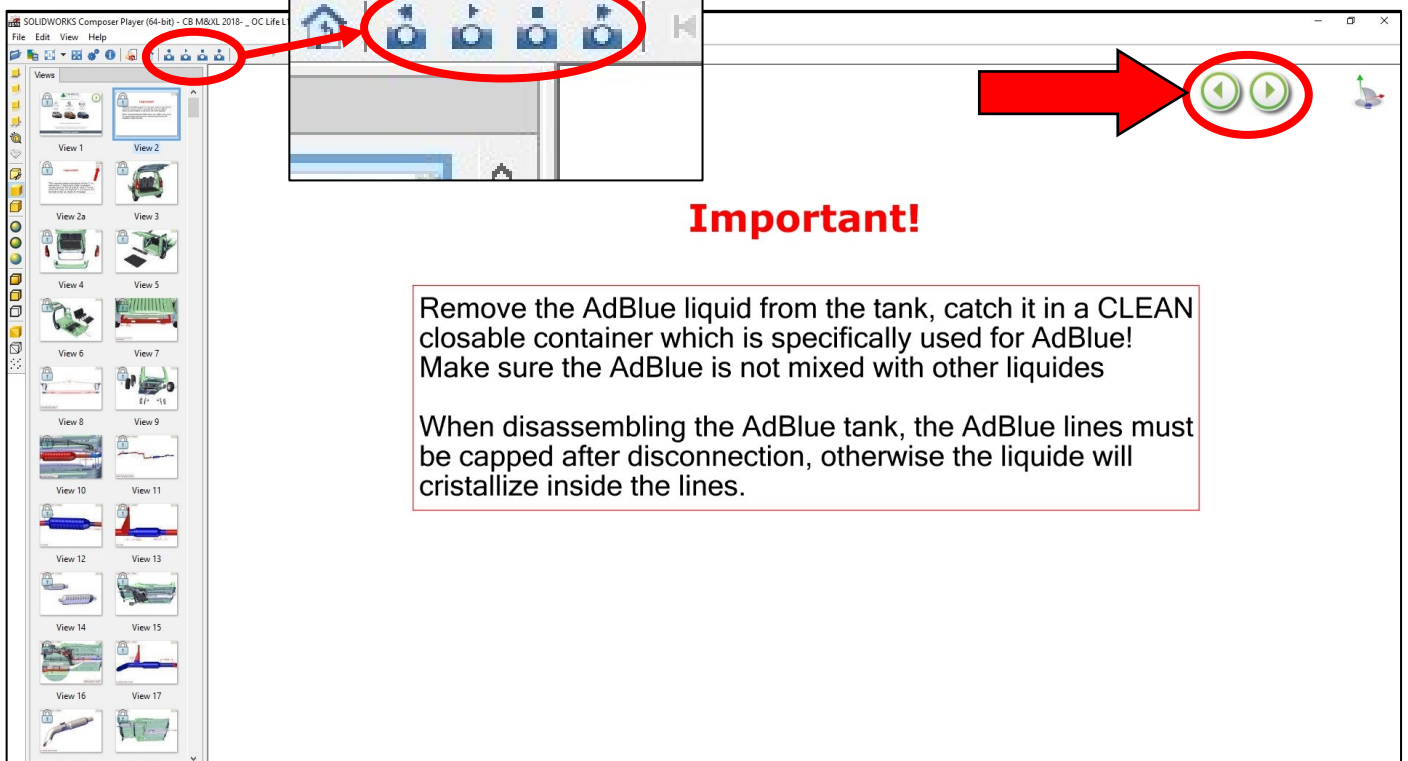
## CONVERSION MANUALS

### M VERSION WITH SHORT FLOOR (L2-SF)

- ✓ PART 1 08-01-2020
- ✓ PART 2 08-01-2020
- ✓ 3D FULL version 08-01-2020



To go to the next/previous view, either click the button in the top right corner or use the toolbar on the left.



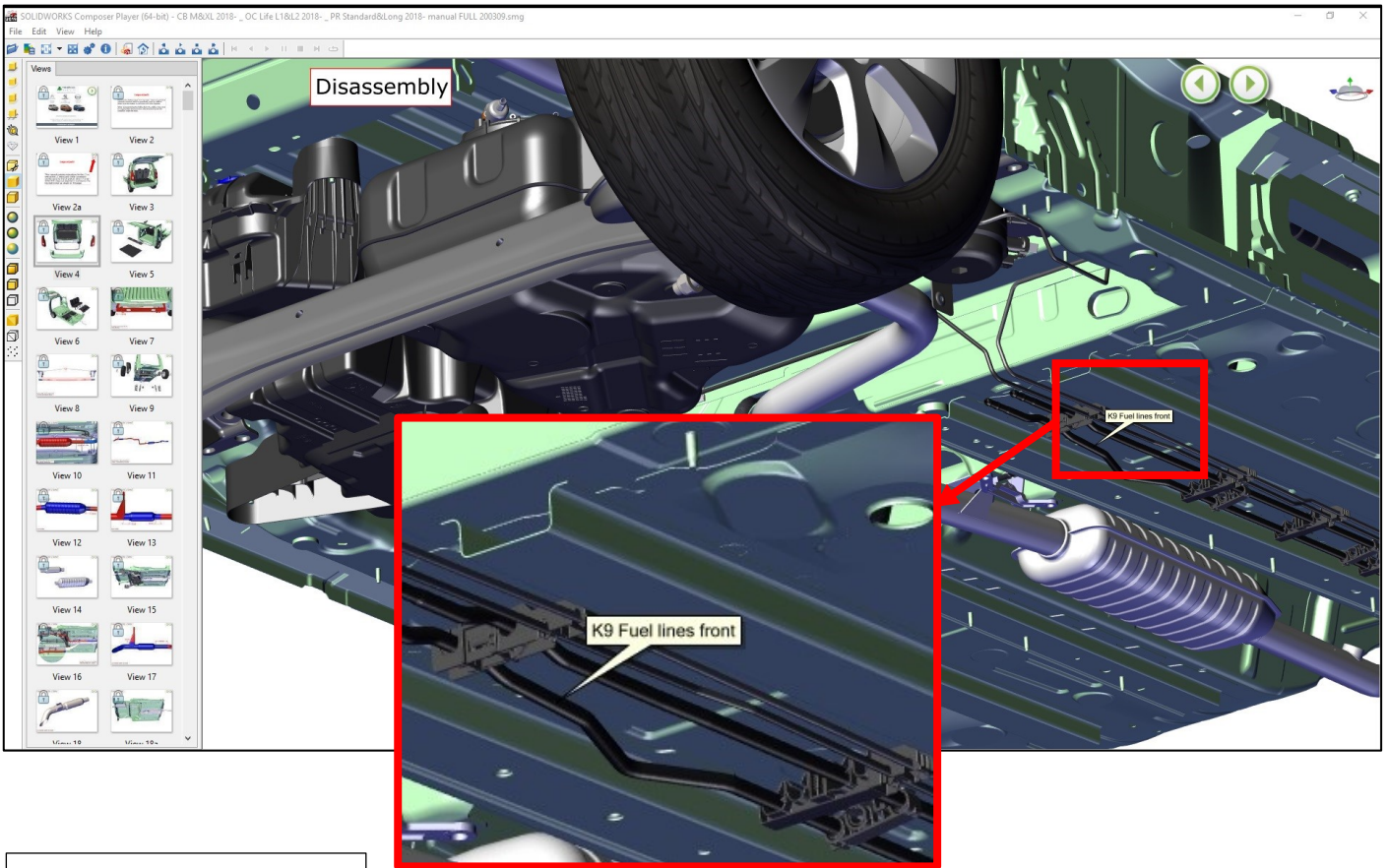
Double click a thumbnail on the left to see that specific view directly.



To rotate the model just press and hold down the scroll wheel than move your mouse, scroll to zoom in/out.



Hover your mouse pointer over a part to see its name/number



Double click on the same thumbnail to go to its original view

