

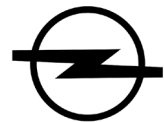
Insert logo and here.



CITROËN
SpaceTourer
Jumpy Combi



PEUGEOT
Traveller
Expert Combi



OPEL
Zafira Life
Vivaro Combi



PREMIUM WAV FOR FAMILIES AND PROFESSIONALS

Suitable for efficient passenger transport and available in short and long floor versions. Provides a wide range of seating options with optimal space and visibility for wheelchair passenger.

L2-LF

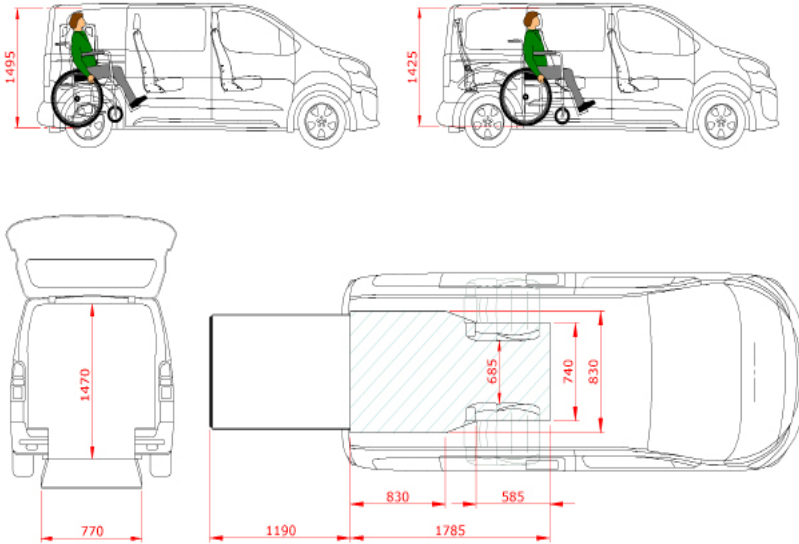
Long lowered floor

Long version or XL/ Long/ L2.
Carlength 4.959m, wheelbase 3.275m.

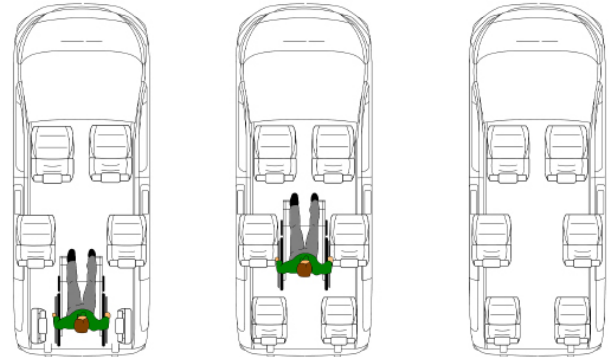
Tested and approved by:



Measurements



Seating options



- A deep and level lowered floor up to front seats.
- 4-point wheelchair tie-down system with an adjustable 3-point seatbelt for the wheelchair passenger.
- Lowered floor covered with upholstery that matches the luxurious car interior.
- Generous dimensions for the wheelchair passenger, providing good all-around visibility.
- Foldable taxi ramp which creates a flat loading floor.
- The center part from the rear bumper will be replaced on the hatch, maintaining the original look.



Options

- One or two fixed seats on the 2nd row.
- One or two TriflexAIR seats on the 3rd row.
- Restore functionality of original parking sensors.
- BodyGuard; back and head protection for the wheelchair user.



L2-SF

Short lowered floor

Short version or M/ Short/ L2.
Carlength 4.959m, wheelbase 3.275m.

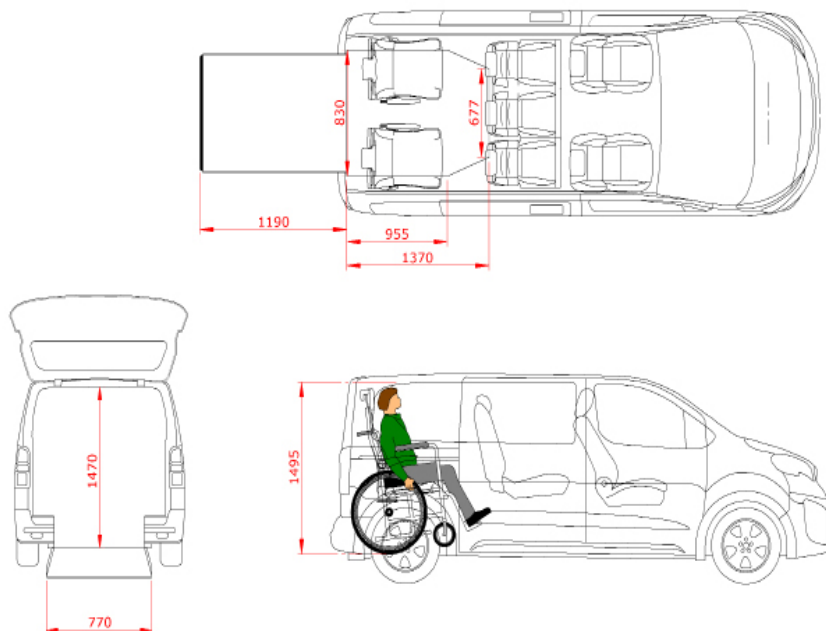
Tested and approved by:



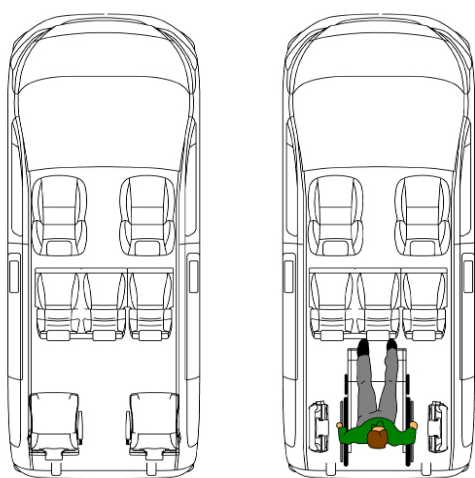
RDW

STELLANTIS

Measurements



Seating options



- A deep and level lowered floor up to the 2nd row.
- 4-point wheelchair tie-down system with an adjustable 3-point seatbelt for the wheelchair passenger.
- Generous dimensions for the wheelchair passenger, providing good all-around visibility.
- Original seats on the 2nd row.
- Lowered floor covered with upholstery that matches the luxurious car interior.
- Foldable taxi ramp which creates a flat loading floor.
- The center part from the rear bumper will be replaced on the hatch, maintaining the original look.

Options

- One or two TriflexAIR seats on the 3rd row.
- Restore functionality of original parking sensors.
- BodyGuard; back and head protection for the wheelchair user.

L3-SF

Short lowered floor

Short version or XL/ Short/ L3.
Carlength 5.308m, wheelbase 3.275m.

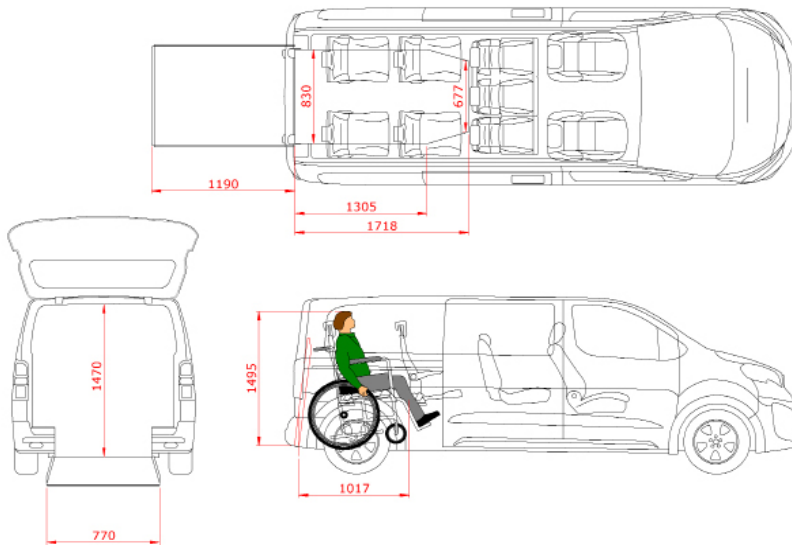
Tested and approved by:



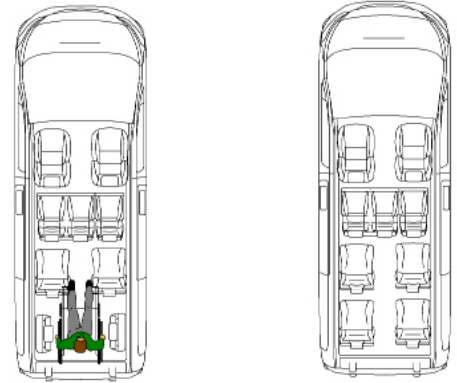
RDW

STELLANTIS

Measurements



Seating options



- A deep and level lowered floor up to the 2nd row.
- Lowered floor covered with upholstery that matches the luxurious car interior.
- Generous dimensions for the wheelchair passenger, giving good all-around visibility.
- Original seats on the second row.
- 4-point wheelchair tie-down system with an adjustable 3-point seatbelt for the wheelchair passenger.
- Foldable taxi ramp which creates a flat loading floor.
- The center part from the rear bumper will be replaced on the hatch, thus maintaining the original look.

Options

- One or two TriflexAIR swivel seats on the 3rd row.
- One or two TriflexAIR swivel seats on the 4th row.
- Restore functionality of original parking sensor.
- BodyGuard; back and head protection for the wheelchair user.



Disclaimer; prices and descriptions are based on the information available during publication and are valid until further notice. We cannot guarantee the correctness and completeness of the information given and therefore do not accept liability.

Insert logo and contact details here.